

Valves / Plumbing Equipment / Bottom Conn. Automatic Air Vent

CONSTRUCTIVE PROPERTIES

	STANDARD	OPTIONAL
Case	Brass Sand Blasted	Brass Nickel Coated
Sealing	EPDM	-
Installation Connection	R 1/2"	-
Springs	Stainless Steel	-
Float	Plastic	-

USAGE PROPERTIES

Conformity	TS 7817	-
Max. Water Temp.	110 °C	-
Max. Pressure	10 bar	-



1353000000



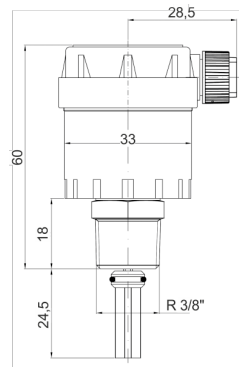
1363000000



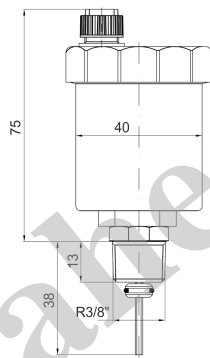
1363100000

www.Laheghi.com

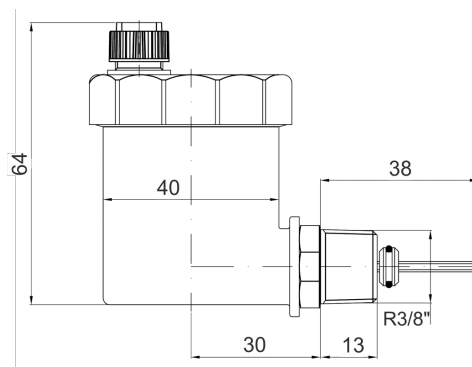
Valves / Plumbing Equipment / Bottom Conn. Automatic Air Vent



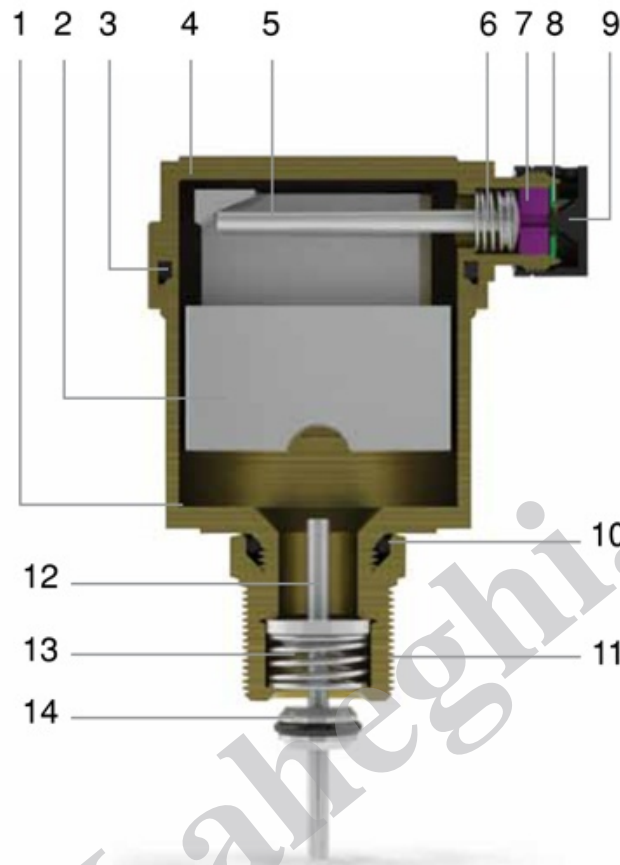
Model No: 135300



Model No: 136300



Model No: 136310



Constructional Properties				
Part #	Part / Group Name	Material	Pcs	Explanation
1	Body	Brass CW617N	1	
2	Floater	Polypropylene	1	
3	O-Ring	EPDM 70	1	01/ U 70 EP
4	Cap	Brass CW617N	1	
5	Valve	Polyamid-66	1	
6	Spring	St. Steel	1	AISI 302
7	Gasket	01 / B70 NBR	1	
8	Ring	Brass CW505L	1	
9	Safety Nut	Pom	1	W 2320
10	O-Ring	EPDM 70	1	01/ U 70 EP
11	Check Valve Body	Brass CW614N	1	
12	Cap	ABS	1	GP 22
13	Spring	St. Steel	1	AISI 302
14	O-Ring	EPDM 70	1	01/ U 70 EP